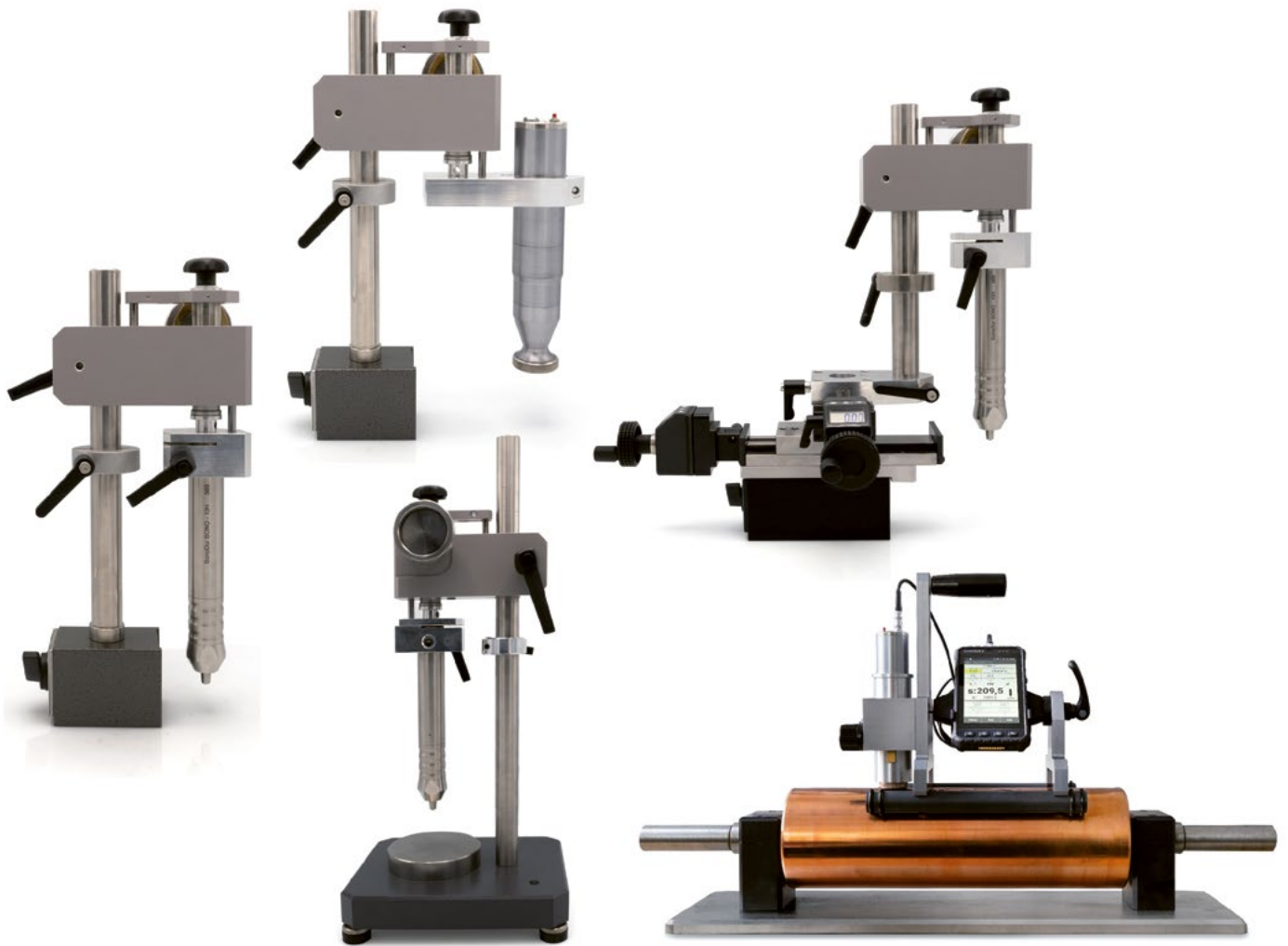


# SONODUR stands

Optimized precision  
for mobile hardness testing



## **SONO stands for improved measurement accuracy**

The SONO stands offer a variety of solutions for optimizing measurements. By using the SONO stands, repeatability is increased by minimizing the operator's influence on the measurement. At the same time, the outstanding flexibility of the SONODUR is preserved in the best possible way. In addition, the stands enable a more precise positioning of the measuring points

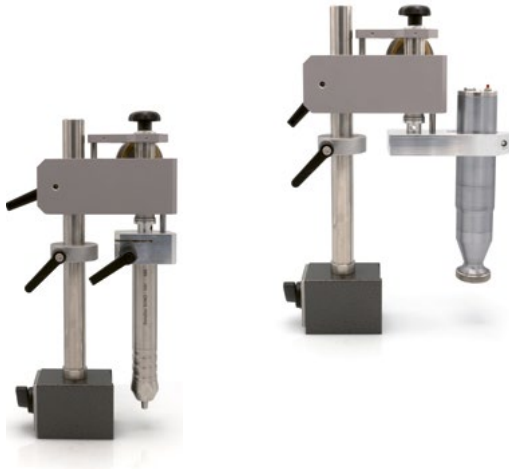
using displacement measuring systems and optimized positioning for round objects.

Thanks to their versatility and attractive cost-benefit ratio, the stands make a significant contribution to the holistic improvement of measurement processes and become more independent of the user.

### SONO MS 1 (M)

The SONO MS 1 is the universal stand for hardness measurement with SONODUR. It can be used for a variety of measurement tasks.

- Magnetic base for easy and flexible handling
- Guided measurement minimizes operator dependency
- Sturdy construction for very high repeatability
- For handheld (SONO H) or motorized probes (SONO M)
- Maximum measuring height:
  - SONO H: 60 mm
  - SONO M: 140 mm



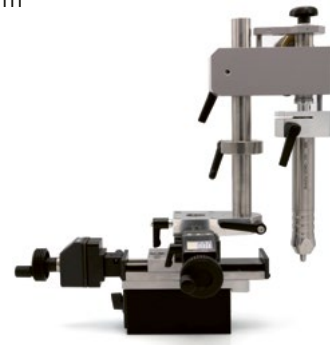
### SONO MS 2 (M)

The SONO MS 2 is ideal for measuring tasks that require defined measuring distances. One example of this is weld seam testing.

- Defined positioning due to movable slides with high-precision digital measuring systems
- Magnetic base for easy and flexible handling
- Guided measurement minimizes operator dependency
- Sturdy construction for very high repeatability
- For handheld (SONO H) or motorized probes (SONO M)
- Maximum measuring height:
  - SONO H: 120 mm
  - SONO M: 195 mm

Maximum traveling distance:

- X-Axis: 75 mm
- Y-Axis: 25 mm



### SONO PS 1

The SONO PS 1 is especially apt for inspecting smaller components and for verifying the probe calibration.

- Base plate for the best possible measuring position
- Guided measurement minimizes operator dependency
- Sturdy construction for very high repeatability
- Maximum measuring height:
  - SONO H: 120 mm



### SONO PS 2

The SONO PS 2 is used on tubes with thin walls and/or high surface quality as well as for coated rotogravure cylinders.

- Grid clamping for optimal inclination of the device display
- Semi-automatic measurement: completely operator-independent
- Easy positioning facilitated by the integrated carrying handle
- Sturdy construction for very high repeatability
- For motorized probes (SONO M)



### Headquarters

Institut Dr. Foerster GmbH & Co. KG, Germany

For a contact person in your market, please contact us via e-mail to [sales.mt.de@foerstergroup.com](mailto:sales.mt.de@foerstergroup.com) or via phone +49 7121 140 376.

### Institut Dr. Foerster GmbH & Co. KG

Business Unit Mobile Testing

In Laisen 70

72766 Reutlingen

Germany

+49 7121 140 0

[sales.mt.de@foerstergroup.com](mailto:sales.mt.de@foerstergroup.com)

